

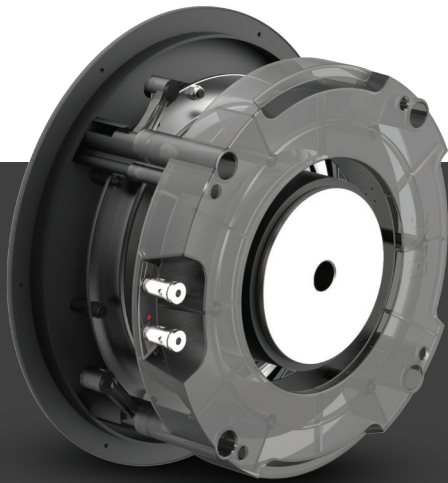


Vertex™ Series II In-ceiling Speakers

Using the same technology and materials of the newly developed Reference speaker line, the Vertex Series II eloquently combine the aesthetics and pure performance.

The easily installed Vertex Series II speakers utilize the same components throughout the series to ensure a perfect sonic match across the line.

Keeping with our philosophy of delivering high-end audio sound, Vertex series II speakers will compliment any environment.



Recognized around the world for manufacturing speakers with exceptional build quality and unmatched performance, ELAC continues to deliver with our new Vertex Series of speakers.

VERTEX™ SERIES 2 IN-CEILING SPEAKERS

Custom Cloth-Dome Tweeter

Custom cloth dome tweeters have been developed for low mass and smooth, extended frequency response. Dispersion characteristics are enhanced with a unique grill design.

Custom-designed Woofer with Aluminum Cone

An aluminum cone is employed due to its rigid, light weight characteristics. This results in dynamic, accurate frequency response.

Intricate Crossover

Audio-grade crossover components are utilized in the

sophisticated crossover design, thus delivering even smoother transitions between the drivers.

Slim Profile

A slim profile paintable magnetic grill allows for the speaker to virtually disappear in the room

Accessory Products

Optional square grill adapters are available to cosmetically match square lighting. Optional pre-construction bracket is available to aid in installation or use in ceiling tile applications.



SPECIFICATIONS	IC-V62-W	IC-V82-W	IC-VT62-W
	In-ceiling Vertex II 6.5" Speaker	In-ceiling Vertex II 8" Speaker	In-ceiling Vertex II Theatre 6.5" Speaker
Speaker type	2-way, rear side open	2-way, rear side open	2-way, rear side open
Tweeter	1-inch cloth dome	1-inch cloth dome	1-inch cloth dome
Woofer	6.5-inch aluminum cone	8-inch aluminum cone	6.5-inch aluminum cone
Crossover frequency	2,100 Hz	2,100 Hz	2,100 Hz
Frequency response	45 to 20,000 Hz	40 to 20,000 Hz	45 to 20,000 Hz
Sensitivity	87 db at 2.83 v/1m	88 db at 2.83 v/1m	87 db at 2.83 v/1m
Recommended amplifier power	30 to 120 Watts	30 to 120 Watts	30 to 120 Watts
Nominal/peak power handling	50/120 Watts	50/120 Watts	50/120 Watts
Nominal impedance	6 Ohm	6 Ohm	6 Ohm
Finish	Soft Paint Black baffle	Soft Paint Black baffle	Soft Paint Black baffle
Grill	Metal Magnetic Paintable	Metal Magnetic Paintable	Metal Magnetic Paintable
Accessories included	Cutout template, manual	Cutout template, manual	Cutout template, manual
Dimensions (diameter)	9.31 in / 236.5 mm	11.22 in / 285 mm	10.4 in / 265 mm
Cut-out (diameter)	8.11 in / 206 mm	10.00 in / 254 mm	9.53 in / 242 mm
Mounting depth	4.37 in / 111 mm	4.48 in / 114 mm	6.81 in / 173 mm

VERTEX™ SERIES II IN-WALL SPEAKERS

Custom Cloth-Dome Tweeter

Custom cloth dome tweeters have been developed for low mass and smooth, extended frequency response. Dispersion characteristics are enhanced with a unique grill design.

Custom-designed Woofers with Aluminum Cone

An aluminum cone is employed due to its rigid, light weight characteristics. This results in dynamic, accurate frequency response.

Intricate Crossover

Audio-grade crossover components are utilized in the

sophisticated crossover design, thus delivering even smoother transitions between the drivers.

Slim Profile

A slim profile paintable magnetic grill allows for the speaker to virtually disappear in the room



SPECIFICATIONS	IW-V62-W	IW-VC52-W
	In-wall Vertex II 6.5" Speaker	In-wall Vertex II Centre 5.25" Speaker
Speaker type	2-way, rear side open	2-way, rear side open
Tweeter	1-inch cloth dome	1-inch cloth dome
Woofer	6.5-inch aluminum cone	2 x 5.25-inch aluminum cone
Crossover frequency	2,100 Hz	2,100 Hz
Frequency response	45 to 20,000 Hz	45 to 20,000 Hz
Sensitivity	87 db at 2.83 v/1m	86 db at 2.83 v/1m
Recommended amplifier power	30 to 120 Watts	30 to 120 Watts
Nominal/peak power handling	50/120 Watts	50/120 Watts
Nominal impedance	6 Ohm	6 Ohm
Finish	Soft Paint Black baffle	Soft Paint Black baffle
Grille	Metal magnetic / Paintable	Metal magnetic / Paintable
Accessories included	Cutout template, manual	Cutout template, manual
Dimensions	H: 12.69 in / 322.3 mm W: 8.48 in / 215.3 mm D: 4.04 in / 102.5 mm	H: 7.4 in / 188.3 mm W: 17.7 in / 448.3 mm D: 3.4 in / 85.6 mm
Cut-out	H: 11.61 in / 295 mm W: 7.36 in / 187 mm	H: 6.2 in / 157 mm W: 16.4 in / 417 mm
Mounting depth	3.94 in / 100 mm	3.3 in / 84 mm